

---

# Ledwell & Son Enterprises, Inc.

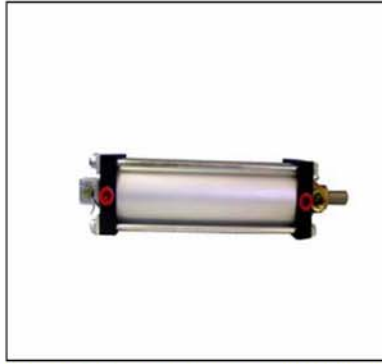
---

Phone: 903-838-6531 Fax: 903-831-2719

---



CONSOLES AND SIDE BOXES



TAILGATE LATCH AIR CYLINDERS



HIGH LIFT CYLINDERS



AIR VALVES



SIDE BOXES FOR CONSOLES



ACCESSORIES



SHIFT KITS



SHIFT CYLINDERS FOR HYD VALVES  
AND DUMP PUMPS



AIR SHIFTED DIVERTER VALVES



BELLYDUMP CYLINDERS

---

3300 Waco Street - Texarkana, Texas 75501

# TAILGATE LATCH CYLS



AIR CYL	BORE	STROKE	PINS	ROD DIAM	THREAD	PORTS
AC25051	2.5	4	.500	0.625	5/8-18	1/4 NPT
AC25004	2.5	6	.500	0.625	5/8-18	1/4 NPT
AC25003	2.5	8	.500	0.625	5/8-18	1/4 NPT
AC25007	2.5	10	.500	0.625	5/8-18	1/4 NPT
AC35015	3.5	4	.500	0.750	5/8-18	1/4 NPT
AC35006	3.5	6	.500	0.750	5/8-18	1/4 NPT
AC35001	3.5	8	.500	0.750	5/8-18	1/4 NPT
AC35030	3.5	10	.500	1.0	5/8-18	1/4 NPT
AC35069	3.5	10	.500	1.0	3/4-16	1/4 NPT
AC40006	4	6	.750	1.0	3/4-16	1/4 NPT
AC40011	4	8	.500	1.0	3/4-16	1/4 NPT
AC40003	4	10	.750	1.0	3/4-16	1/4 NPT
AC50001	5	8	.750	1.25	3/4-16	1/2 NPT
AC50006	5	20	.750	1.25	3/4-16	1/2 NPT
AC50010	5	24	.750	1.25	3/4-16	1/2 NPT

## AIR CYLINDERS WITH 12 VOLT SOLENOID MOUNTED

AC35001-S	3.5	8	.500	0.750	5/8-18	1/4 NPT
AC35006-S	3.5	6	.500	0.750	5/8-18	1/4 NPT
AC35030-S	3.5	10	.500	1.0	5/8-18	1/4 NPT
AC35069-S	3.5	10	.500	1.0	3/4-16	1/4 NPT

# HIGHLIFT CYLS



AIR CYL	BORE	STROKE	PINS	ROD	THREAD	PORTS	
AC35047	3.5	14	.750	1	3/4-16	1/4 NPT	
AC35016	3.5	24	.750	1	3/4-16	1/4 NPT	
AC35046	3.5	30	.750	1	3/4-16	1/4 NPT	
AC40012	4	16	.750	1	3/4-16	1/4 NPT	
AC40025	4	20	.750	1	3/4-16	1/4 NPT	
AC40021	4	24	.750	1	3/4-16	1/4 NPT	
AC40016	4	26	.750	1	3/4-16	1/4 NPT	
AC40010	4	28	.750	1	3/4-16	1/4 NPT	
AC40020	4	30	.750	1	3/4-16	1/4 NPT	
AC40008	4	32	.750	1	3/4-16	1/4 NPT	
AC50005	5	14	.750	1.25	3/4-16	1/2 NPT	
AC50006	5	20	.750	1.25	3/4-16	1/2 NPT	
AC50003	5	24	.750	1.25	3/4-16	1/2 NPT	
AC50008	5	26	1	1.25	3/4-16	1/2 NPT	

# AIR VALVES

	PORT SIZE	PORTS	SPOOLS
<b>SPOOL VALVES</b>			
AV001	1/8 NP	3	1
AV002	1/8 NP	5	2
AV009	1/8 NP	7	3
AV027	1/8 NP	3	1
AV053	1/4 NP	2	1



AV001



AV002

<b>SPOOL VALVES WITH MUFFLER EXHAUST</b>			
AV016	1/8 NP	3	1



AV009



AV016

<b>METERING VALVES</b>			
AV079	1/8 NP	3	HANDLE
AV026	1/8 NP	2	HANDLE

<b>LOCK BUTTON SPOOL VALVES - DETENTS</b>			
AV043	1/8 NP	3	1
AV041	1/8 NP	5	2



AV017

<b>12 VOLT SOLENOID VALVES</b>			
AV018	1/4 NP	5	12 VOLT



AV026

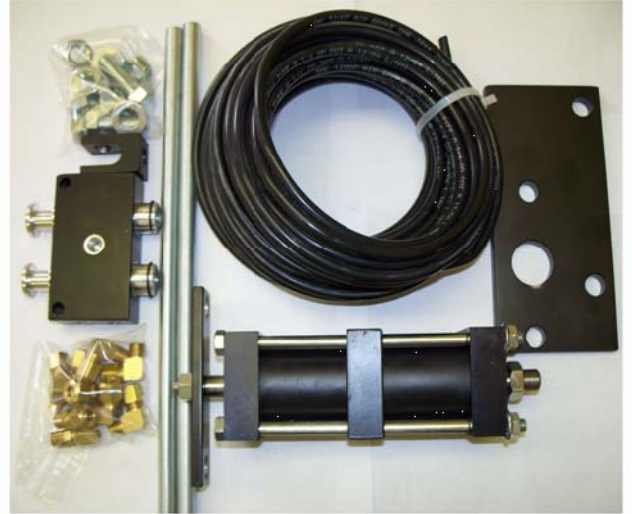
<b>SHUTTLE VALVES</b>		<b>(SHIFT CYL FROM 2 LOCATIONS)</b>	
AV044	1/8 NP	6	-
AV063	1/8 NP	3	-

<b>LIMIT VALVES</b>		<b>(JERK SWITCHES)</b>	
AV017	1/8 NP	2	1



AV077

# KITS



PART NUM	DESCRIPTION	CONTENTS
ACK-862	862 CHEL	CYLINDER, VALVE, TUBING, BRACKETS
ACK-1010	TAILGATE LATCH	CYLINDER, VALVE, TUBING, CLEVIS
TFK-1	TUBE & FITTINGS	TUBING & FITTING FOR C101 AIR KIT
ACK-CL3	CLUTCH KIT	CYLINDER, VALVE, TUBING, FITTINGS
AC17066	DOUBLE CYLINDER	STROKE 1.25 X 1.25
AC17017	DOUBLE CYLINDER	STROKE 1.37 X 1.37

# AIR SHIFTED DIVERTER VALVES



PART NUM	PORTS	FUNCTION	
DV75-SA	3/4 NPT	SA	
DV75-DA	3/4 NPT	DA	
DV100-SA	1" NPT	SA	
DV100-DA	1" NPT	DA	
DV-100-OR-SA	1" O-RING	SA	
DV-100-OR-DA	1" O-RING	DA	

# SHIFT CYLINDERS FOR HYD VALVES



<b>HYD</b>	<b>AIR</b>
<b>VALVE</b>	<b>CYL</b>

DVA20	AC12014
DVA35	AC15032
V20	AC12016
V40	AC15033
V42	AC15034
V50	AC15048
S100	AC15012



<b>DUMP</b>	<b>AIR</b>
<b>PUMP</b>	<b>CYL</b>

C101,E2,DM640	AC17047
G101 4 BOLT	AC15031

# ACCESSORIES



## PUSH TO CONNECT DOT AIR FITTINGS

PART NUM	STYLE	THD SIZE	TUBE SIZE
3429	UNION		1/4
3430	UNION		3/8
3431	UNION		1/2
3432	ST	1/4 NP	1/4
3433	ST	3/8 NP	3/8
3434	ST	1/2 NP	1/2
3435	ELBOW	1/4 NP	1/4
3436	ELBOW	3/8 NP	3/8
3437	ELBOW	1/2 NP	1/2

## DOT AIR BRAKE TUBING

PART NUM	SIZE
1437	1/8
2100	1/4
1323	3/8

## AIR MUFFLER/FILTER

PART NUM	DESCRIPTION
1861	1/8 NP BRONZE CONE MUFFLER
1869	1/4 NP BRONZE CONE MUFFLER
2102	1/4 NPTM X 1/4 NPTF 5 MICRON FILTER

# CONSOLES



**PT-1008-M**

**FUNCTION**

TO CONTROL DUMP PUMP (METERING UP & DOWN) AND CUT OUT FOR MUNCIE PTO VALVE  
HANDLE HAS CENTER LOCK AND IS DETENTED IN UP AND DOWN POSITIONS

SIZE: 3 X 6 X 8

SAFETY LOCK FOR HANDLE

MULTIPLE TOWER HEIGHTS

RUGGED BUT LIGHT ALUMINUM CONSTRUCTION

PUSH TO CONNECT FITTINGS INSTALLED

EASY TO MOUNT

NO ASSEMBLY REQUIRED

SINGLE AIR INLET

HOIST METERING CONTROL

# CONSOLES



**PT-1012**

## **FUNCTION**

ONE DOUBLE ACTING AIR VALVE WITH CUT-OUT FOR CHELSEA PTO VALVE

SIZE: 3 X 6 X 8

MULTIPLE TOWER HEIGHTS

RUGGED BUT LIGHT ALUMINUM CONSTRUCTION

PUSH TO CONNECT FITTINGS INSTALLED

EASY TO MOUNT

NO ASSEMBLY REQUIRED

SINGLE AIR INLET

# CONSOLES



**PT-1013**

## **FUNCTION**

TO CONTROL DUMP PUMP (METERING UP & DOWN)

HANDLE HAS CENTER LOCK AND IS DETENTED IN UP AND DOWN POSITIONS

SIZE: 3 X 4 X 8

SAFETY LOCK FOR HANDLE

MULTIPLE TOWER HEIGHTS

RUGGED BUT LIGHT ALUMINUM CONSTRUCTION

PUSH TO CONNECT FITTINGS INSTALLED

EASY TO MOUNT

NO ASSEMBLY REQUIRED

SINGLE AIR INLET

HOIST METERING CONTROL

# CONSOLES



**PT-2011**

## **FUNCTION**

TO CONTROL DUMP PUMP (METERING DOWN) AND PTO  
HANDLE HAS CENTER LOCK AND IS SPRING CENTERED  
PTO CONTROL HAS SAFETY LOCK AND AUTO KICKOUT NO KICKOUT

SIZE: 3 X 4 X 8

SAFETY LOCK FOR HANDLE

MULTIPLE TOWER HEIGHTS

RUGGED BUT LIGHT ALUMINUM CONSTRUCTION

PUSH TO CONNECT FITTINGS INSTALLED

EASY TO MOUNT

SAFETY LIGHTS FOR PTO

NO ASSEMBLY REQUIRED

SINGLE AIR INLET

HOIST METERING CONTROL

# CONSOLES



**PT-2020**

## **FUNCTION**

TO CONTROL DUMP PUMP (METERING DOWN) AND PTO  
HANDLE HAS CENTER LOCK AND IS DETENTED UP AND DOWN

PTO CONTROL HAS SAFETY LOCK AND AUTO KICKOUT OR NO KICKOUT

SIZE: 3 X 4 X 8

SAFETY LOCK FOR HANDLE

MULTIPLE TOWER HEIGHTS

RUGGED BUT LIGHT ALUMINUM CONSTRUCTION

PUSH TO CONNECT FITTINGS INSTALLED

EASY TO MOUNT

SAFETY LIGHTS FOR PTO

NO ASSEMBLY REQUIRED

SINGLE AIR INLET

HOIST METERING CONTROL

# CONSOLES



**PT-2021**

## **FUNCTION**

TO CONTROL TWO DUMP PUMPS (METERING UP & DOWN)  
HANDLE HAS CENTER LOCK AND IS DETENTED UP AND DOWN

SIZE: 3 X 6 X 8

SAFETY LOCK FOR HANDLE

MULTIPLE TOWER HEIGHTS

RUGGED BUT LIGHT ALUMINUM CONSTRUCTION

PUSH TO CONNECT FITTINGS INSTALLED

EASY TO MOUNT

NO ASSEMBLY REQUIRED

SINGLE AIR INLET

HOIST METERING CONTROL

# CONSOLES



**PT-3006**

## **FUNCTION**

TO CONTROL PTO AND BAND BRAKE (METERING) AND CLUTCH DOG

SIZE: 6 X 6 X 12

SAFETY LOCK FOR HANDLE

MULTIPLE TOWER HEIGHTS

RUGGED BUT LIGHT ALUMINUM CONSTRUCTION

PUSH TO CONNECT FITTINGS INSTALLED

EASY TO MOUNT

SAFETY LIGHTS FOR PTO

NO ASSEMBLY REQUIRED

SINGLE AIR INLET

HOIST METERING CONTROL

# CONSOLES



**PT-3014**

## **FUNCTION**

TO CONTROL DUMP PUMP (METERING DOWN) AND PTO AND TAILGATE LATCH  
HANDLE HAS CENTER LOCK AND IS DETENTED UP AND DOWN  
PTO CONTROL HAS SAFETY LOCK AND AUTO KICKOUT OR NO KICKOUT  
TAILGATE LATCH HAS SAFETY LOCK AND LIGHT

SIZE: 3 X 6 X 8

SAFETY LOCK FOR HANDLE

MULTIPLE TOWER HEIGHTS

RUGGED BUT LIGHT ALUMINUM CONSTRUCTION

PUSH TO CONNECT FITTINGS INSTALLED

EASY TO MOUNT

SAFETY LIGHTS FOR PTO AND TAILGATE LATCH

NO ASSEMBLY REQUIRED

SINGLE AIR INLET

HOIST METERING CONTROL

# CONSOLES



**PT-3023**

## **FUNCTION**

THREE DA OR SA AIR VALVES AND CUT-OUT FOR PUMP CABLE CONTROL

SIZE: 6 X 6 X 12

MULTIPLE TOWER HEIGHTS

RUGGED BUT LIGHT ALUMINUM CONSTRUCTION

PUSH TO CONNECT FITTINGS INSTALLED

EASY TO MOUNT

NO ASSEMBLY REQUIRED

SINGLE AIR INLET

# CONSOLES



**PT-4007**

**FUNCTION**

WATER VALVES OR OTHER APPLICATIONS USING 4 DOUBLE ACTING OR SINGLE ACTING AIR VALVES

SIZE: 3 X 6 X 12

SAFETY LOCK FOR HANDLE

MULTIPLE TOWER HEIGHTS

RUGGED BUT LIGHT ALUMINUM CONSTRUCTION

PUSH TO CONNECT FITTINGS INSTALLED

EASY TO MOUNT

NO ASSEMBLY REQUIRED

# CONSOLES



**PT-4009**

## **FUNCTION**

TO CONTROL DUMP PUMP (METERING DOWN) AND PTO AND TWO DIVERTER VALVES

OR ANY APPLICATION THAT REQUIRES 2 DOUBLE ACTING OR SINGLE ACTING VALVES

HANDLE HAS CENTER LOCK AND IS DETENTED UP AND DOWN

PTO CONTROL HAS SAFETY LOCK AND AUTO KICKOUT OR NO KICKOUT

SIZE: 6 X 6 X 12

SAFETY LOCK FOR HANDLE

MULTIPLE TOWER HEIGHTS

RUGGED BUT LIGHT ALUMINUM CONSTRUCTION

PUSH TO CONNECT FITTINGS INSTALLED

EASY TO MOUNT

SAFETY LIGHTS FOR PTO AND TAILGATE LATCH

NO ASSEMBLY REQUIRED

SINGLE AIR INLET

HOIST METERING CONTROL

# CONSOLES



**PT-4011**

## **FUNCTION**

TO CONTROL DUMP PUMP (METERING DOWN) AND TAILGATE.

CUT-OUTS ARE READY FOR MUNCIE PTO VALVE AND 2 DA OR SA AIR VALVES.

SIZE: 6 X 6 X 12

SAFETY LOCK FOR HANDLE

MULTIPLE TOWER HEIGHTS

RUGGED BUT LIGHT ALUMINUM CONSTRUCTION

PUSH TO CONNECT FITTINGS INSTALLED

EASY TO MOUNT

SAFETY LIGHTS FOR PTO

NO ASSEMBLY REQUIRED

SINGLE AIR INLET

HOIST METERING CONTROL

# CONSOLES



**PT-4015**

## **FUNCTION**

TO CONTROL DUMP PUMP (METERING DOWN) AND PTO AND TAILGATE LATCH  
HANDLE HAS CENTER LOCK AND IS DETENTED UP AND DOWN  
PTO CONTROL HAS SAFETY LOCK AND AUTO KICKOUT OR NO KICKOUT  
TAILGATE LATCH HAS SAFETY LOCK AND LIGHT  
CUT-OUTS ARE READY FOR ELECTRIC TARP AND LIGHT

SIZE: 6 X 6 X 14

SAFETY LOCK FOR HANDLE

MULTIPLE TOWER HEIGHTS

RUGGED BUT LIGHT ALUMINUM CONSTRUCTION

PUSH TO CONNECT FITTINGS INSTALLED

EASY TO MOUNT

SAFETY LIGHTS FOR PTO AND TAILGATE LATCH

NO ASSEMBLY REQUIRED

SINGLE AIR INLET

HOIST METERING CONTROL

# CONSOLES



**PT-4017**

**FUNCTION**

TWO WINCH CONTROL - FOR BAND BRAKE AND CLUTCH DOG  
ALSO HAS CUT-OUT FOR PTO VALVE

SIZE: 6 X 12 X 12

SAFETY LOCK FOR HANDLE

MULTIPLE TOWER HEIGHTS

RUGGED BUT LIGHT ALUMINUM CONSTRUCTION

PUSH TO CONNECT FITTINGS INSTALLED

EASY TO MOUNT

NO ASSEMBLY REQUIRED

SINGLE AIR INLET

HOIST METERING CONTROL

# CONSOLES



**PT-5004**

## **FUNCTION**

TO CONTROL DUMP PUMP (METERING DOWN) AND PTO AND TAILGATE LATCH  
HANDLE HAS CENTER LOCK AND IS DETENTED UP AND DOWN  
PTO CONTROL HAS SAFETY LOCK AND AUTO KICKOUT OR NO KICKOUT  
TAILGATE LATCH HAS SAFETY LOCK AND LIGHT  
ALSO HAS TWO DA OR SA AIR VALVES FOR DIVERTER VALVE OR TAILGATE

SIZE: 6 X 6 X 12

SAFETY LOCK FOR HANDLE

MULTIPLE TOWER HEIGHTS

RUGGED BUT LIGHT ALUMINUM CONSTRUCTION

PUSH TO CONNECT FITTINGS INSTALLED

EASY TO MOUNT

SAFETY LIGHTS FOR PTO AND TAILGATE LATCH

NO ASSEMBLY REQUIRED

SINGLE AIR INLET

HOIST METERING CONTROL

# CONSOLES



**PT-5010**

## **FUNCTION**

TO CONTROL DUMP PUMP (METERING DOWN) AND PTO

HANDLE HAS CENTER LOCK AND IS DETENTED UP AND DOWN

PTO CONTROL HAS SAFETY LOCK AND AUTO KICKOUT OR NO KICKOUT

ALSO HAS THREE DA OR SA AIR VALVES

SIZE: 6 X 6 X 12

SAFETY LOCK FOR HANDLE

MULTIPLE TOWER HEIGHTS

RUGGED BUT LIGHT ALUMINUM CONSTRUCTION

PUSH TO CONNECT FITTINGS INSTALLED

EASY TO MOUNT

SAFETY LIGHTS FOR PTO AND TAILGATE LATCH

NO ASSEMBLY REQUIRED

SINGLE AIR INLET

HOIST METERING CONTROL

# CONSOLES



**PT-6010**

## **FUNCTION**

CONTAINS SIX DOUBLE ACTING OR SINGLE AIR VALVES

SIZE: 6 X 6 X 12

MULTIPLE TOWER HEIGHTS

RUGGED BUT LIGHT ALUMINUM CONSTRUCTION

PUSH TO CONNECT FITTINGS INSTALLED

EASY TO MOUNT

NO ASSEMBLY REQUIRED

SINGLE AIR INLET

# CONSOLES



**PT-6016**

## **FUNCTION**

2 - PUMPS, 2 - PTO'S, 2 TAILGATE LATCHES, 1- DIVERTER VALVE

TO CONTROL DUMP PUMP (METERING DOWN) AND PTO AND TAILGATE LATCH

HANDLE HAS CENTER LOCK AND IS DETENTED UP AND DOWN

PTO CONTROL HAS SAFETY LOCK AND AUTO KICKOUT OR NO KICKOUT

TAILGATE LATCH HAS SAFETY LOCK AND LIGHT

SIZE: 6 X 6 X 12

SAFETY LOCK FOR HANDLE

MULTIPLE TOWER HEIGHTS

RUGGED BUT LIGHT ALUMINUM CONSTRUCTION

PUSH TO CONNECT FITTINGS INSTALLED

EASY TO MOUNT

SAFETY LIGHTS FOR PTO AND TAILGATE LATCH

NO ASSEMBLY REQUIRED

SINGLE AIR INLET

HOIST METERING CONTROL

# CONSOLES



**PT-7007**

**FUNCTION**

TO CONTROL WATER VALVES OR ANYTHING THAT REQUIRES 7 DA OR SA AIR VALVES

SIZE: 6 X 6 X 12

SAFETY LOCK FOR HANDLE

MULTIPLE TOWER HEIGHTS

RUGGED BUT LIGHT ALUMINUM CONSTRUCTION

PUSH TO CONNECT FITTINGS INSTALLED

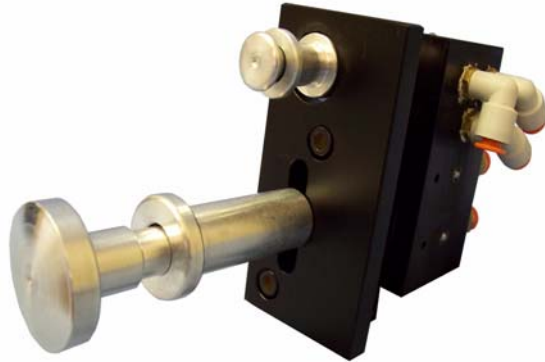
EASY TO MOUNT

NO ASSEMBLY REQUIRED

SINGLE AIR INLET

HOIST METERING CONTROL

# CONSOLES



**PT-039**

## **FUNCTION**

TO CONTROL DUMP PUMP (METERING UP & DOWN) AND PTO OR TAILGATE LATCH

SIZE: 2 X 4 X 4

SAFETY LOCK FOR HANDLE

MULTIPLE TOWER HEIGHTS

RUGGED BUT LIGHT ALUMINUM CONSTRUCTION

PUSH TO CONNECT FITTINGS INSTALLED

EASY TO MOUNT

NO ASSEMBLY REQUIRED

SINGLE AIR INLET

HOIST METERING CONTROL

# SIDE BOXES FOR CONSOLES



**SB-1005**



**SB-1007**



**SB-1006**



**SB-1008**



**SB-1009**

THESE BOXES CAN BE ADDED TO SOME CONSOLES IN MULTIPLE COMBINATIONS

<b>PART NUM</b>	<b>SIZE</b>	<b>DESCRIPTION</b>
SB-1005	3 X 6 X 4	5 TOGGLE SWITCHES
SB-1006	3 X 6 X 4	2 DOUBLE ACTING AIR VALVES
SB-1007	3 X 6 X 4	BOX FOR CHELSEA PTO VALVE
SB-1008	3 X 6 X 4	LIFT AXLE CONTROL
SB-1009	6 X 6 X 3	COFFEE CUP HOLDER
SB-1010	3 X 6 X 4	BOX FOR MUNCIE PTO VALVE

# BELLYDUMP CYLINDERS



AIR CYL	BORE	STROKE	PINS	ROD	THREAD	PORTS	
AC80026	8	26	1	1.375	1-14	3/4 NPT	
AC80028	8	28	1	1.375	1-14	3/4 NPT	
AC80030	8	30	1	1.375	1-14	3/4 NPT	
AC80032	8	32	1	1.375	1-14	3/4 NPT	

# CONSOLES



**PT-9003**

## **FUNCTION**

TO CONTROL DUMP PUMP (METERING DOWN) AND PTO VALVE  
HANDLE HAS CENTER LOCK AND IS SPRING CENTERED  
ROCKER SWITCHES ARE SUPPORTED BY SOLENOID VALVES THAT CONTROL :  
DIVERTER VALVE, HIGH LIFT CYL, TAILGATE LATCH CYL, TRUCK TARP, PUMP TARP,  
LIFT AXLE

SIZE: 6 X 6 X 14

SAFETY LOCK FOR HANDLE

MUTIPLE TOWER HIEGHTS

RUGGED BUT LIGHT ALUMINUM CONSTRUCTION

PUSH TO CONNECT FITTINGS INSTALLED

EASY TO MOUNT

SAFETY LIGHTS FOR PTO

NO ASSEMBLY REQUIRED

SINGLE AIR INLET

HOIST METERING CONTROL

# CONSOLES



**PT-5020**

## **FUNCTION**

TO CONTROL WINCH SPOOL, WINCH DOG CLUTCH, PTO, BAND BRAKE

SIZE: 6 X 6 X 12

MULTIPLE TOWER HEIGHTS

RUGGED BUT LIGHT ALUMINUM CONSTRUCTION

PUSH TO CONNECT FITTINGS INSTALLED

EASY TO MOUNT

NO ASSEMBLY REQUIRED

SINGLE AIR INLET

# CONSOLES



**PT-11001**

## **FUNCTION**

TO CONTROL WINCH SPOOL, WINCH DOG CLUTCH, PTO, BAND BRAKE  
ON THREE WINCHES

SIZE: 6 X 12 X 18

MULTIPLE TOWER HEIGHTS

RUGGED BUT LIGHT ALUMINUM CONSTRUCTION

PUSH TO CONNECT FITTINGS INSTALLED

EASY TO MOUNT

NO ASSEMBLY REQUIRED

SINGLE AIR INLET  
SAFETY LIGHTS FOR PTO

NO ASSEMBLY REQUIRED

SINGLE AIR INLET

# CONSOLES



**PT-3027-3**



**PT-3027-3 LH**

## **FUNCTION**

TO CONTROL AIR SHIFTED HYDRAULIC VALVES, SNOW PLOWS, REFUSE TRUCKS, ETC  
HANDLE IS SPRING CENTERED - NO DETENTS - NO CENTER LOCK  
METERING IN BOTH DIRECTIONS

MULTIPLE TOWER HEIGHTS

AVAILABLE WITH 1-7 VALVE SECTIONS

RUGGED BUT LIGHT ALUMINUM CONSTRUCTION

PUSH TO CONNECT FITTINGS INSTALLED

EASY TO MOUNT

NO ASSEMBLY REQUIRED

SINGLE AIR INLET

# CONSOLES



**PT-0009**

**FUNCTION**

FOR CHELSEA PTO HOT SHIFT BRACKET AND LIGHT

SIZE: 3 X 6 X 8

RUGGED BUT LIGHT ALUMINUM CONSTRUCTION

EASY TO MOUNT

# CONSOLES



**PT-3028**

## **FUNCTION**

TO CONTROL BED HOIST , PTO OR TAILGATE, AND CUT OUT FOR CHELSEA HOT SHIFT BRACKET

SIZE: 6 X 6 X 12

SAFETY LOCK FOR HANDLE

MULTIPLE TOWER HEIGHTS

RUGGED BUT LIGHT ALUMINUM CONSTRUCTION

PUSH TO CONNECT FITTINGS INSTALLED

EASY TO MOUNT

SAFETY LIGHTS FOR PTO

NO ASSEMBLY REQUIRED

SINGLE AIR INLET

HOIST METERING CONTROL

# CONSOLES



**PT-4028**

## **FUNCTION**

TO CONTROL DUMP PUMP (METERING DOWN) AND PTO  
ALSO TO CONTROL WALKING FLOOR AND DIVERTER VALVE  
HANDLE HAS CENTER LOCK AND IS DETENTED UP AND DOWN  
PTO CONTROL HAS SAFETY LOCK AND AUTO KICKOUT OR NO KICKOUT

SIZE: 6 X 6 X 12

SAFETY LOCK FOR HANDLE

MULTIPLE TOWER HEIGHTS

RUGGED BUT LIGHT ALUMINUM CONSTRUCTION

PUSH TO CONNECT FITTINGS INSTALLED

EASY TO MOUNT

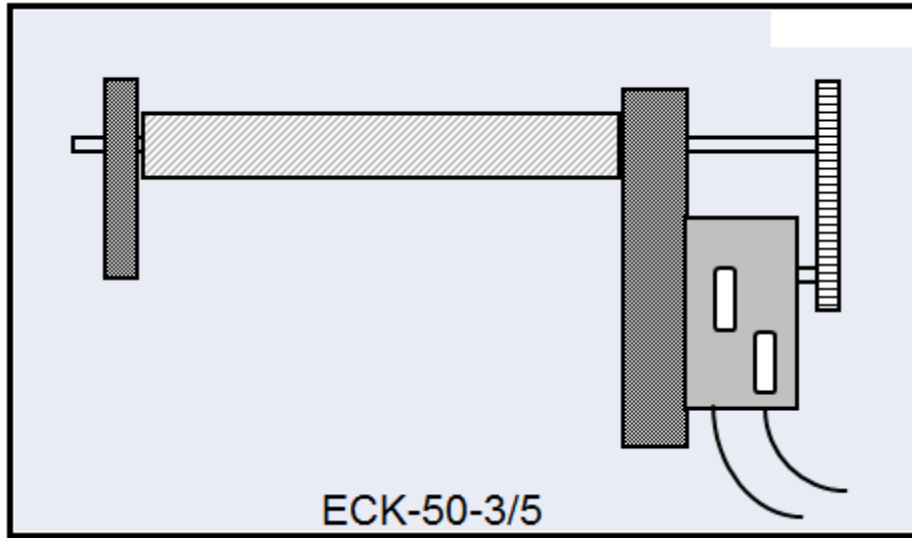
SAFETY LIGHT FOR PTO

NO ASSEMBLY REQUIRED

SINGLE AIR INLET

HOIST METERING CONTROL

# ELECTRIC CONTROL UNITS FOR TARP COVERS



## KIT CONTAINS:

12 VOLT GEAR MOTOR  
DASH SWITCH  
2 SPROCKETS  
CHAIN  
CHAIN GUARD  
40 FT WIRE

# CONSOLES



PT-3024-3

## **FUNCTION**

TO CONTROL DUMP PUMP (METERING UP & DOWN) AND PTO.

THREE DOUBLE ACTING SPOOL VALVES WITH LOCK BUTTONS.

SAFETY LOCK FOR HANDLE

MUTIPLE TOWER HIEGHTS

RUGGED BUT LIGHT ALUMINUM CONSTRUCTION

PUSH TO CONNECT FITTINGS INSTALLED

EASY TO MOUNT

HOIST METERING CONTROL

NO ASSEMBLY REQUIRED